

# Cut Reusable Packaging Losses Using Smart Logistics

**Presented by:**  
Shawn Stockman  
Director of Business Solutions



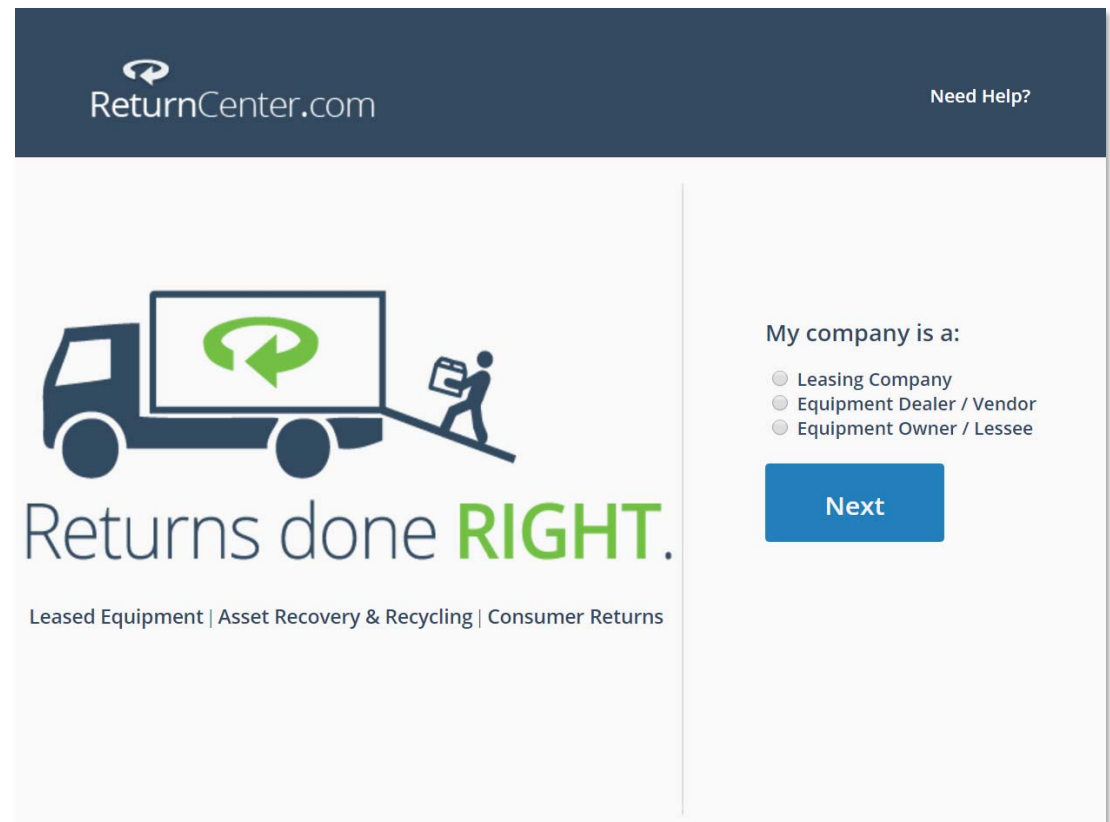
A **ONEPAK** COMPANY

Creative Solutions for Reverse Logistics

# About ReturnCenter

 ReturnCenter.com

- 4PL – Reverse Logistics
- Cloud-based
- 10+ Years
- ~2 Million lbs/week



- Control the Loop
- Optimize Routing
- Standardize Processes
- Increase Inventory Turns
- Use Trusted Partners
- Automate Communications
- Leverage KPIs
- Bundled Solution



# Can't find your assets?

Calling 200 locations  
to find empty kegs



# Control the Loop

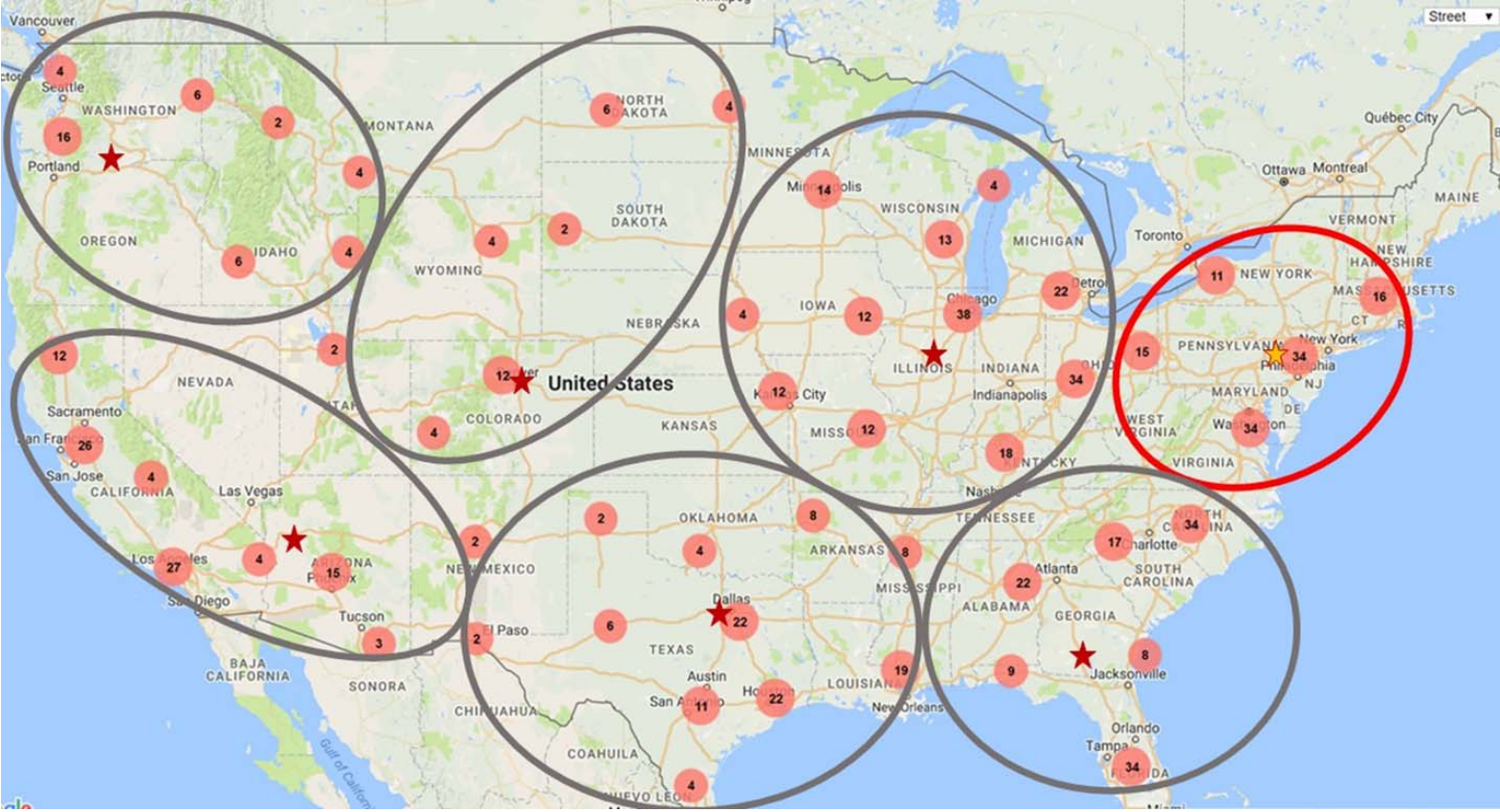
 ReturnCenter.com

Created means of  
controlling shipments of  
~80 million lbs *per year*

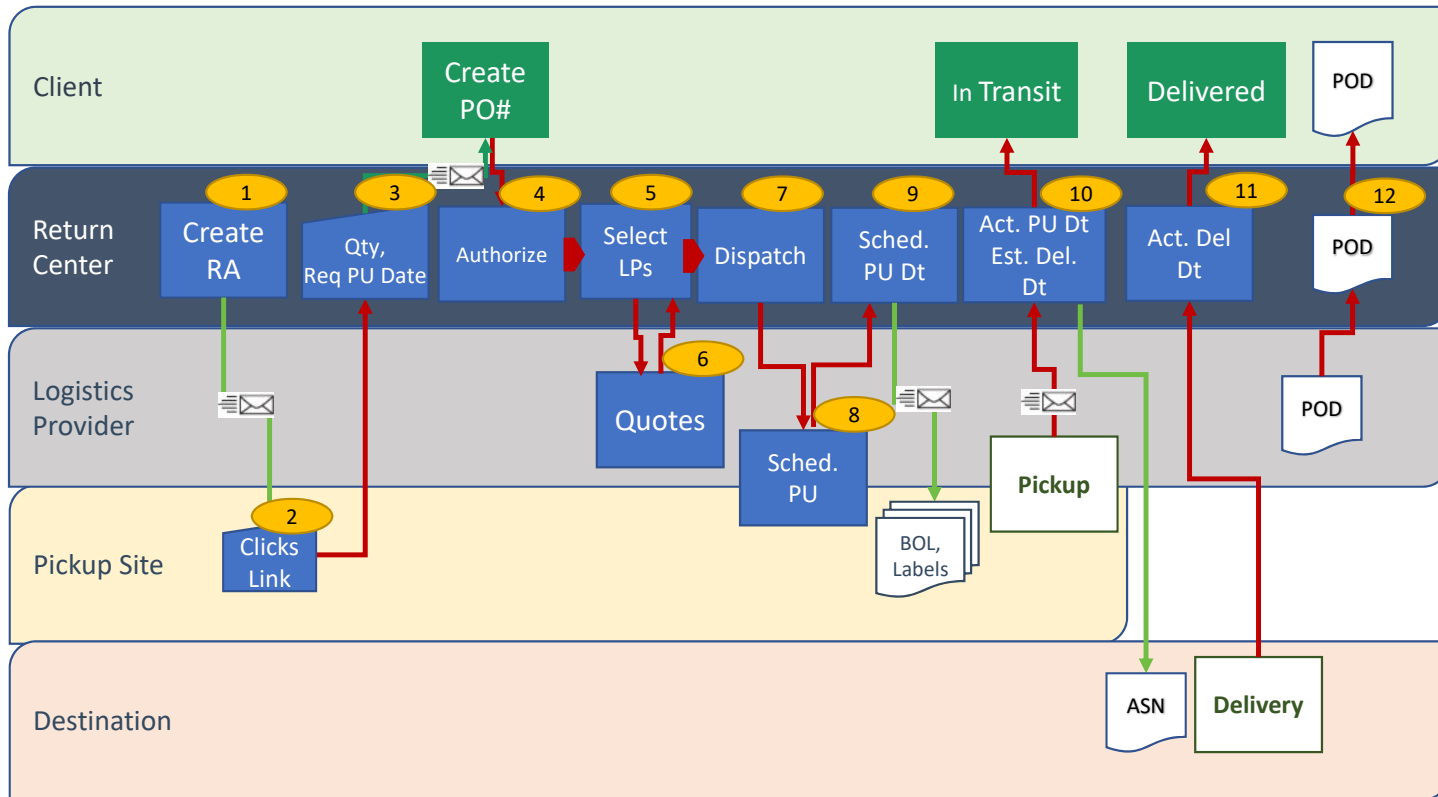
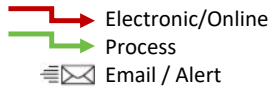


# Optimize Routing

Adding one warehouse saves 217,000 FTL miles



# Standardize Processes



# Increase Inventory Turns

Milk runs eliminate LTLs – maximize FTLs





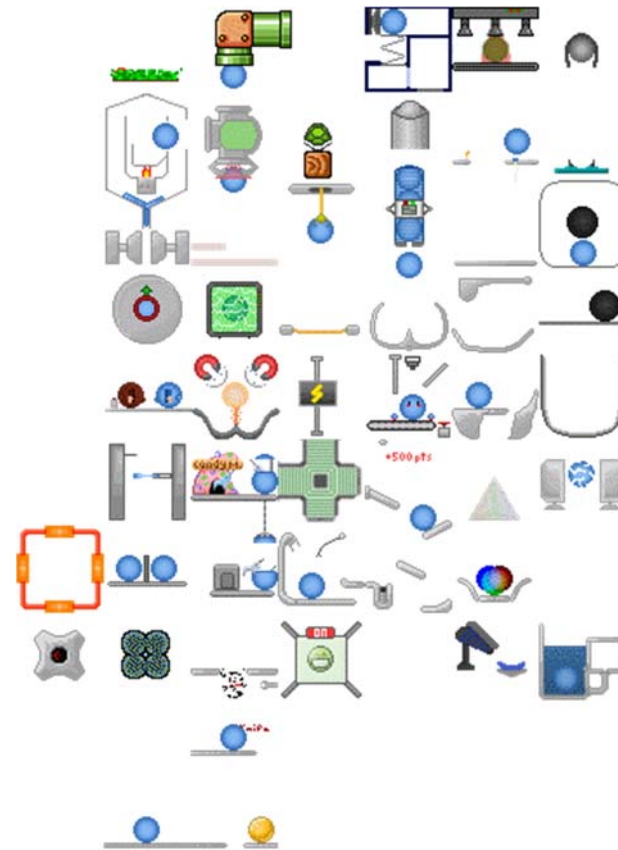
# Use Trusted Partners

“Extreme Vetting” eliminates costly misfires



# Automate Communications

Automated 4,200  
outbound emails  
*per month*



# Leverage Key Performance Indicators

Increased on-time deliveries by 32%

## Logistics

- On-time Pickups
- On-time Deliveries
- Pieces Lost/Damaged



## Business Processes

- Mileage
- LTL/FTL
- Piece Count Changed
- Quantity of Pallets
- Cost per Pallet
- Cost per Piece

# Bundled Solution

## Making track & trace data actionable

**Anderson**  
ASSET TRACKING

Dashboard : All Assets - Brady Anderson

As of Sep 20, 2017 03:14:27 PM

1062 TOTAL ASSETS

26 ACTIVE ALERTS LAST 24 HOURS

15 Open 0 Closed

CRITICAL ALERTS LAST 24 HOURS

CRITICAL ALERTS WEEKLY TREND

ASSETS

- IN SERVICE 1013
- OUT OF SERVICE 49
- NO REPORT LAST 24 HRS 1013

Map showing Texas with asset locations (e.g., pA5KK3T92V) and various colored markers.

Weekly trend chart showing alert activity from Wednesday to Tuesday.

**Alerts Last 24 Hours**

RULE NAME	ASSET TYPE	MANUFACTURER ID	DATE/TIME	ALERT SEVERITY	ALERT STATUS	ALERT SOURCE
Low Fuel	Generator	9ASDF897SDAF	2017-09-19 08:27:04 PM	Information	Active	Device
Temperature	Generator	9ASDF897SDAF	2017-09-19 09:23:44 PM	Warning	Active	Device
In Geofence	Generator	9ASDF897SDAF	2017-09-19 10:31:44 PM	Information	Active	Device
In Geofence	Generator	9ASDF897SDAF	2017-09-19 11:59:17 PM	Warning	Closed	Rule
Out Geofence	Generator	9ASDF897SDAF	2017-09-20 12:08:10 AM	Warning	Active	Device
Temperature	Generator	9ASDF897SDAF	2017-09-20 12:40:26 AM	Information	Closed	Device

AT&T Asset Management - Operations Center™

- Continuous Tracking
- Geofencing
- Recovery Logistics

# Recap

- Control the Loop
- Optimize Routing
- Standardize Processes
- Increase Inventory Turns
- Use Trusted Partners
- Automate Communications
- Leverage KPIs
- Bundled Solution



## Contact:

Mr. A.J. Gonzalez

Senior Vice President – Strategic Markets

Direct: +1 (410) 337-3765

Mobile: +1 (917) 763-9617

AJ.Gonzalez@ReturnCenter.com

Booth 8214